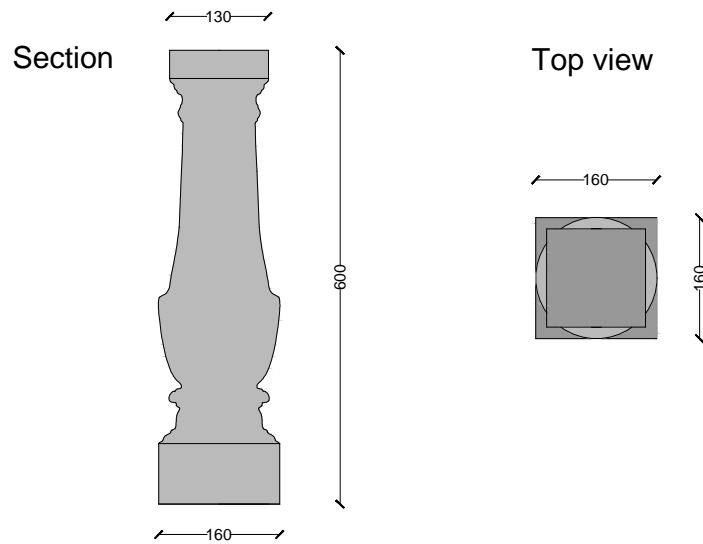


BALUSTRADE TYPE D



Perspective View 3D



DEEP BUFF



NUT BROWN



RUSTIC BROWN



Top View 3D

Details

Cassidy Brothers produce different types of concrete Balustrades in a range of different sizes and colors.

Additional colours on request.

Specifications Balustrad Type D

- Section surface area - m^2 0.075
- Reconstructed Concrete
- Approximate weight Kg 20



Table: CONCRETE BALUSTRADE TYPE D

Scale - 1: 10 file: Decorative_precast.dwg

Date: February 2016 Rev.:

Designers

Eng. Filippo Zoncheddu
Eng. Martin Lynch
Eng. David Cassidy

DECORATIVE
PRECAST

Cassidy Brothers Concrete
Cassidy Precast Dpt.

HEAD OFFICE

Gransha, Bunrana Co Donegal
+353(0)749361777
info@cassidybros.ie

